

- THD 10%
- 90.5%
- : 4kV 6kV
-
- Class I
-
- &
- IP67
- 5



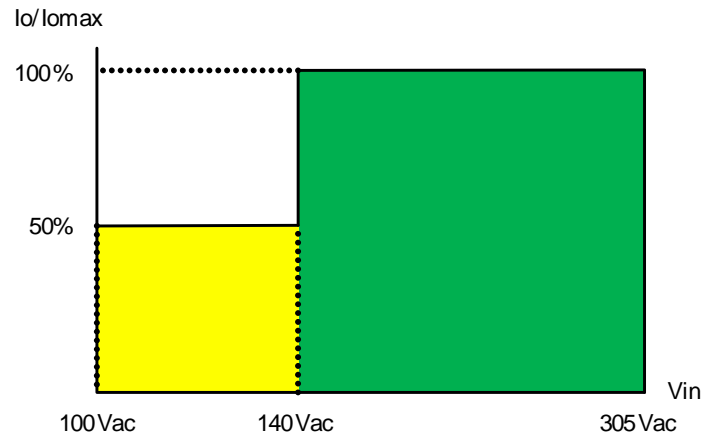
EDC-075S105SV-000x

75W IP67

140-305 Vac

	(1)(2)			(3)	(3)	
700 mA	140 ~ 305 Vac	54 ~ 107 Vdc	75 W	90.5%	0.96	EDC-075S105SV-0007
860 mA	140 ~ 305 Vac	44 ~ 88 Vdc	75 W	90.5%	0.96	EDC-075S105SV-0004
1050 mA	140 ~ 305 Vac	36 ~ 71 Vdc	75 W	90.0%	0.96	EDC-075S105SV

- 1 : 220-240Vac
- 2 100-305Vac 100-140Vac
- 3 220 Vac 100%
- 4 BIS -3000



	140 Vac	-	305 Vac	
	47 Hz	-	63 Hz	

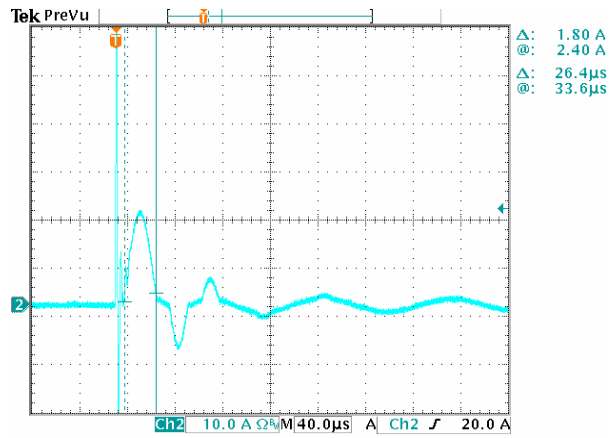
	-	-	0.5 s	220Vac, 75%-100%
	-	0.06%/°C	-	= 0°C~Tc

Cree XLamp XP-G2

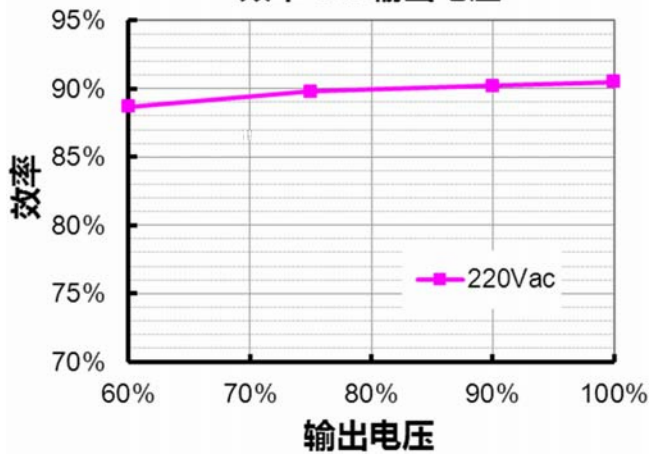
@220Vac: EDC-075S105SV-0007 EDC-075S105SV-0004 EDC-075S105SV	88.5% 88.5% 88.0%	90.5% 90.5% 90.0%	- - -	100% 25 2.0%
	-	806,000 Hours	-	220Vac 25 80% (MIL-HDBK-217F)
	-	101,000 Hours	-	220Vac 80% 75°C
	-40°C	-	+90°C	
	-40°C	-	+75°C	5 : 10%RH to 95%RH
	-40°C	-	+85°C	: 5%RH to 95%RH
(L × W × H) (L × W × H)	4.49 × 2.52 × 1.26 114 × 64 × 32			5.16 × 2.52 × 1.26 131 × 64 × 32
	-	500 g	-	

Cree XLamp XP-G2

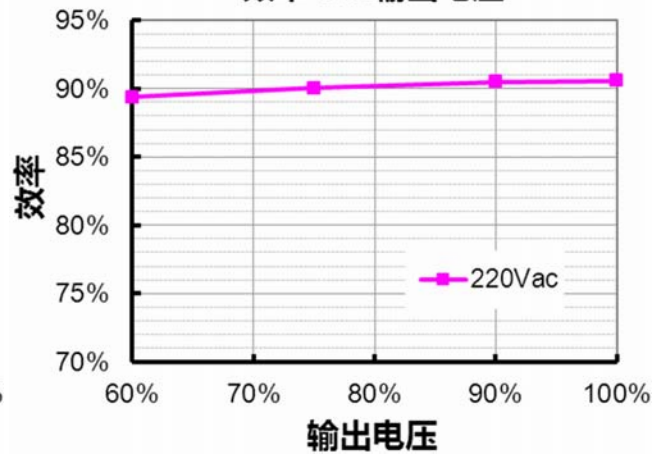
CE	EN 61347-1, EN 61347-2-13
CCC	GB 19510.1, GB 19510.14
KS	KS C 7655
BIS	IS 15885(PART2/SEC13)
EN 55015/GB 17743(1)	Conducted emission Test & Radiated emission Test



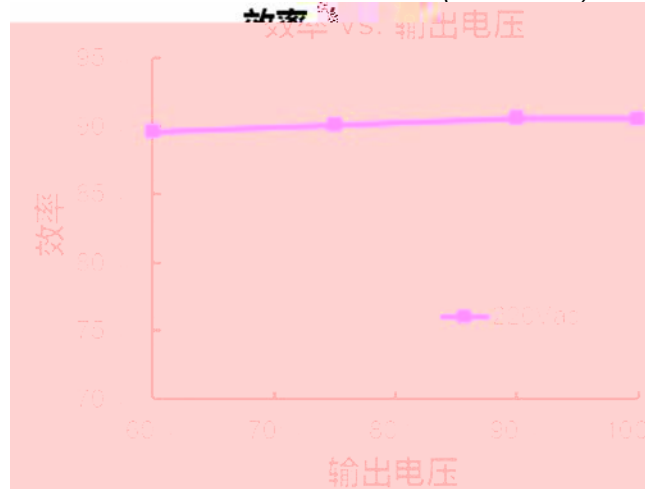
EDC-075S105SV($I_o=1050\text{mA}$)
效率 vs. 输出电压

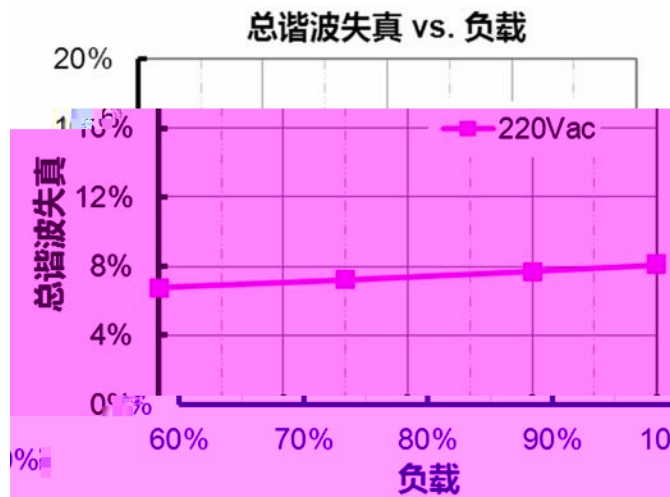
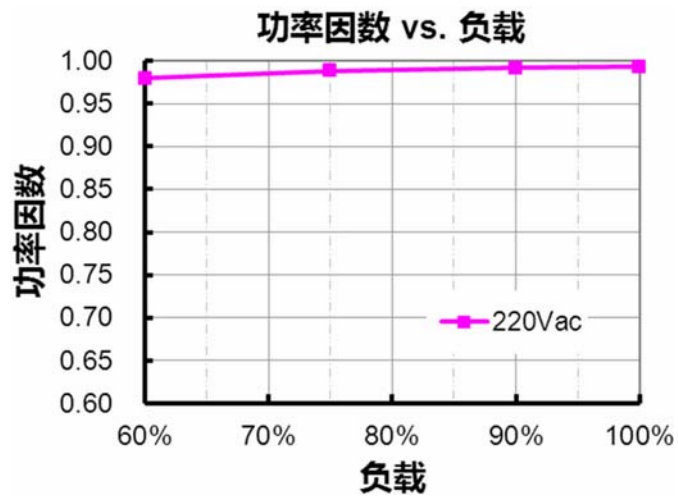


EDC-075S105SV-0004($I_o=860\text{mA}$)
效率 vs. 输出电压



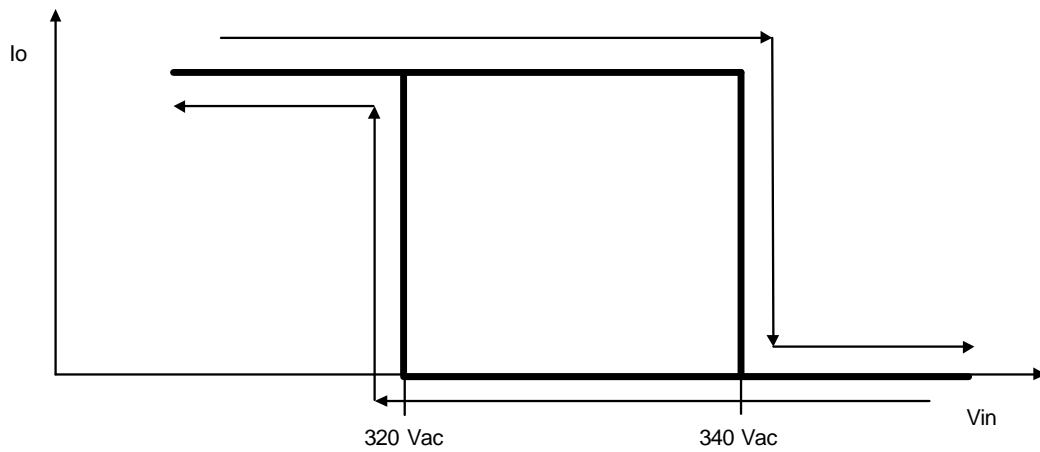
EDC-075S105SV-0007($I_o=700\text{mA}$)





			100V	

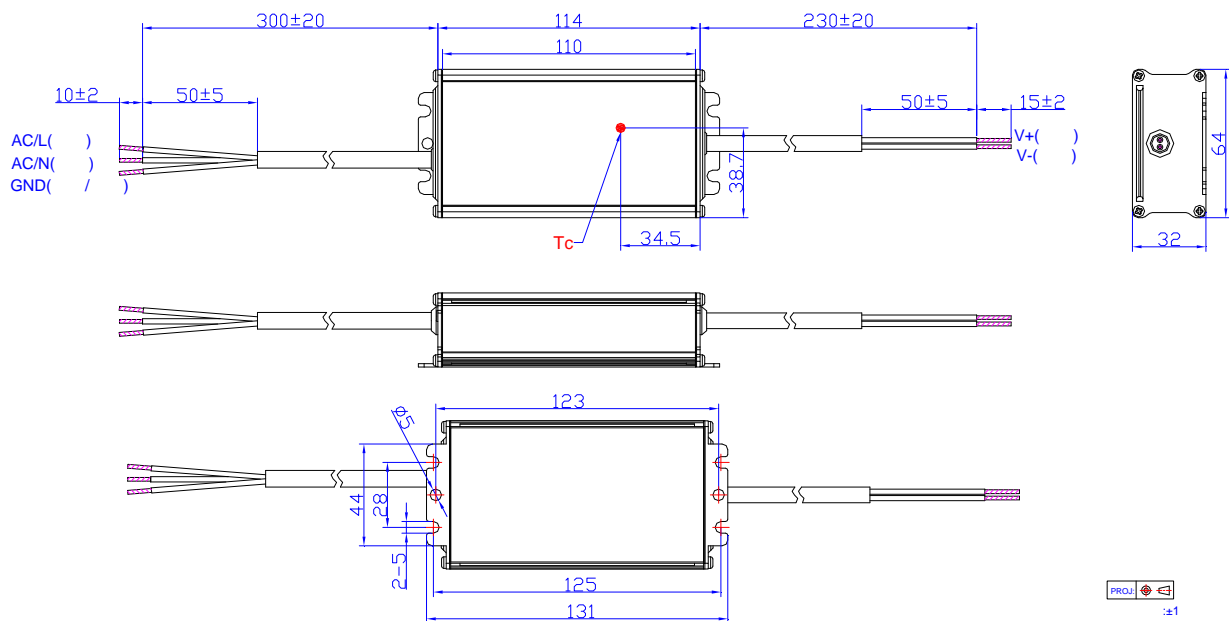
		320 Vac	340 Vac	360 Vac	
		300 Vac	320 Vac	340 Vac	
		-	-	440 Vac	440Vac 48



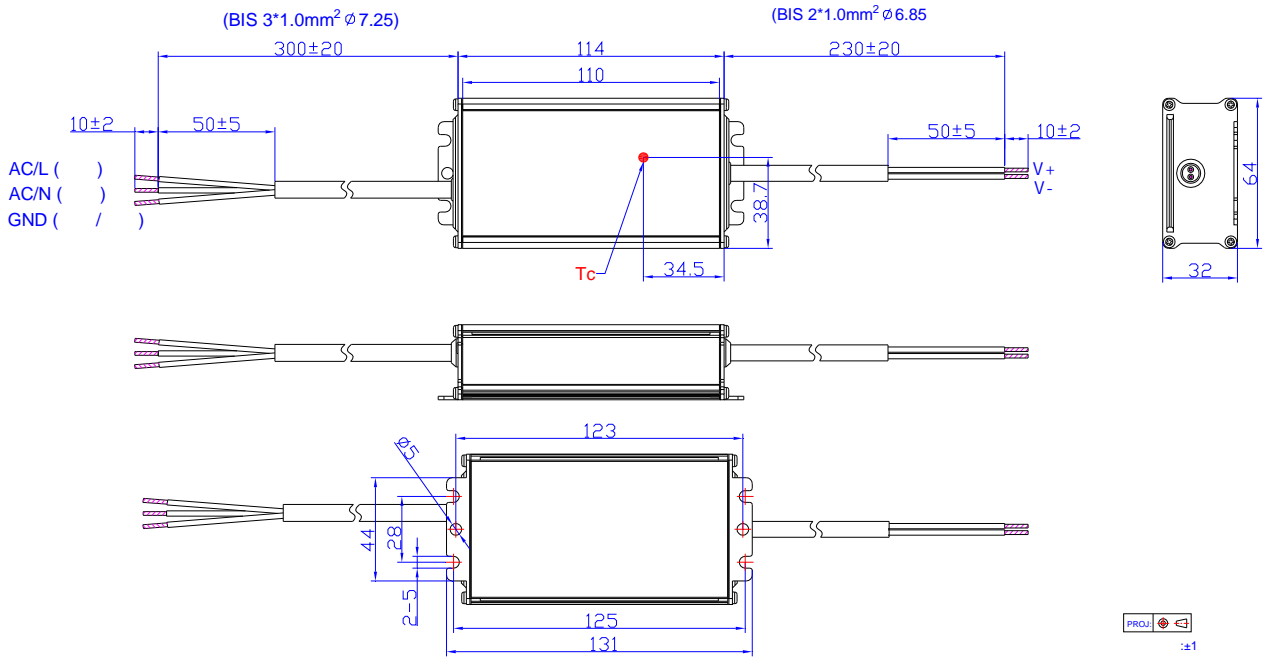
EDC-075S105SV-000x

(VDE H05RN-F 3*1.0mm² Ø7.2)

(VDE H05RN-F 2*1.0mm² Ø6.8)



EDC-075S105SV-3000



RoHS

RoHS

2011/65/EU

EU 2015/863

2017-05-26	A		/	/
2018-01-26	B		/	
			/	
		EDC-075S105SV-0007	140V	150V
		EDC-075S105SV-0004	140V	150V
	-	/		
2021-12-1	C		/	
			EN 61000-4-5	
			4	
			EDC-075S105SV-000x	
			EDC-075S105SV-3000	
		RoHs	/	