

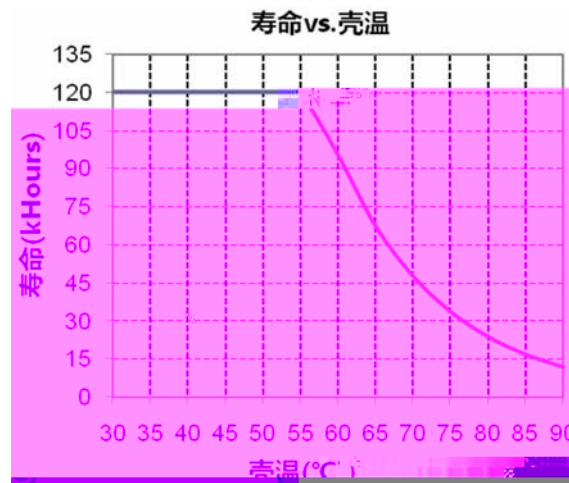
	+ . ? z	\$	- * ? z	
	-	-	0.70 mA	IEC60598-1; 240Vac/ 60Hz#
	-	-	2.5 A	(' ' % (' ' M̄ac
	-	-	1.1 A	(' ' %)) ' M̄ac
@k	-	-	1.5 A²s)) ' M̄ac) , (' % ~ (' % = (% mj
	0.90	-	-	(' ' ~) + ' M̄ac # , ' \$ - ' ? z (' ' %
	-	-	20%	

	-2.5%	-	2.5%	EUV-200S042SV, (' ' %
	-5%	-	5%	# (' ' %
gk\$gk	-	-	2% V _o) ' D ? z ' % l = (' l =
	-	-	10%	
	-	-	±1%	(' ' %
	-	-	±2%	
	-	0.9 s	1.5 s	((' ' M̄ac (' ' %
	-	0.5 s	1.0 s)) ' M̄ac (' ' %
	-	-	5% V _o	& 1(8& J
	-	-	10 mS	1) , % ~ . , %
	-	0.05%/°C	-	= 0°C~Kc

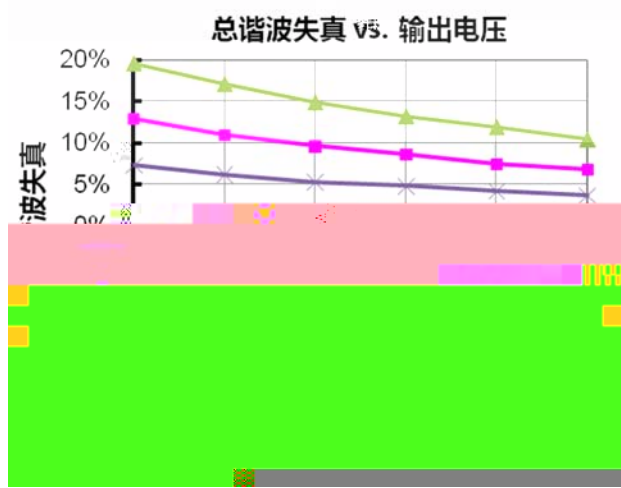
7 ((' M̄ac				
M̄ = () M	// %%	/O %%	\$	(' ' %) , ° (%
M̄ =) + M	/O %%	O' %%	\$	
M̄ = * - M	/O %%	O' %%	\$	
M̄ = +) M	/O %%	O' %%	\$	
M̄ = + / M	/O %%	O' %%	\$	
M̄ = , + M	/O %%	O' %%	\$	

EMS	
EN 61000-4-2	Electrostatic Discharge (ESD): 8 kV air discharge, 4 kV contact discharge
EN 61000-4-3	Radio-Frequency Electromagnetic Field Susceptibility Test-RS
EN 61000-4-4	Electrical Fast Transient / Burst-EFT
EN 61000-4-5	Surge Immunity Test: AC Power Line: Differential Mode 4 kV, Common Mode 6 kV ⁽²⁾
EN 61000-4-6	Conducted Radio Frequency Disturbances Test-CS
EN 61000-4-8	Power Frequency Magnetic Field Test
EN 61000-4-11	Voltage Dips
EN 61547	Electromagnetic Immunity Requirements Applies To Lighting Equipment

Ž ž <D @ Ž ž <D @
 Ž ž # & Ž ž
 Ž @: -', O/\$(\$' %ž

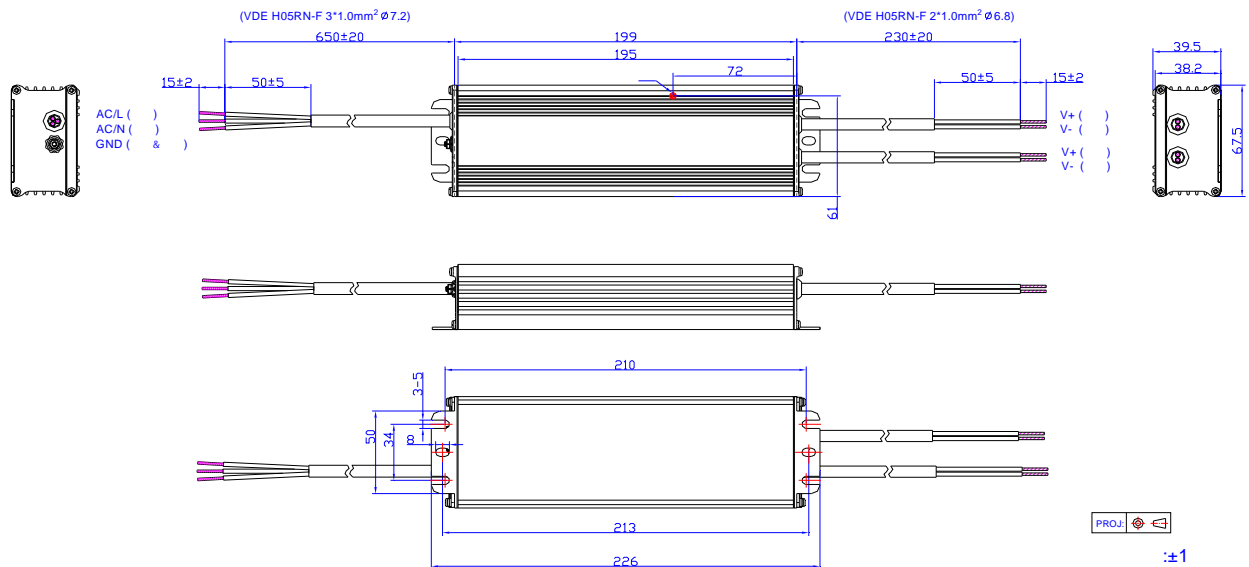


24V

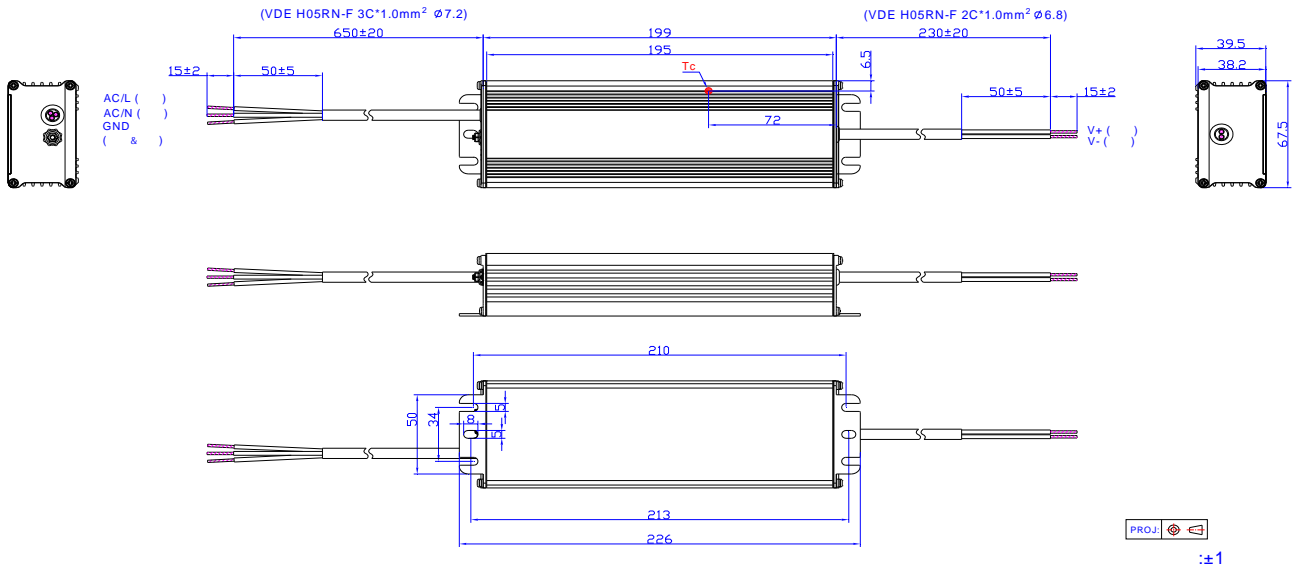


	120% lo	140% lo	200% lo	

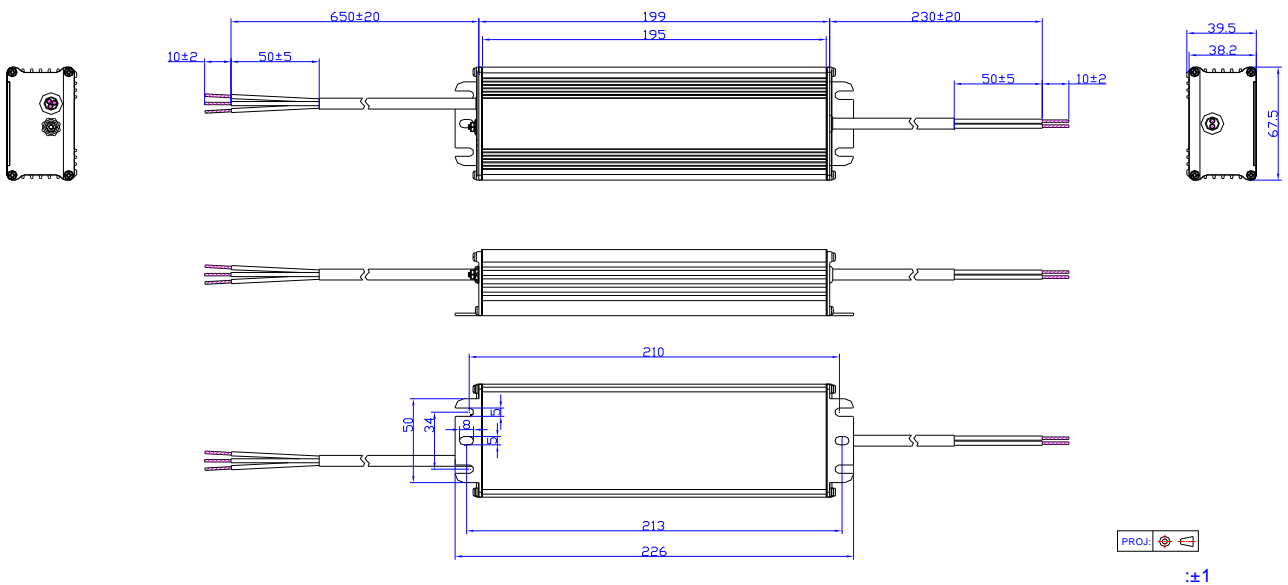
EUV-200S012SV



) (%mm) (' 8%))



EUV-200S024/048SV-3000



2015-09-11	M		EUV-200S042SV	
			&	
			&	
			&	
			&	
2016-03-31	N	BJ	&	
			&	
			&	
2017-11-14	O	CCC	/	
			,	
			*	
		&		
			' %, %&:	' %, %&:
			&	
2019-03-12	P	:::	&	
		<E <:	&	
			&	
			*	
		\$	(' /' g	((, ' g
			&	

2020-01-06	Q	B: :	&	
			&	
			4kV 6kV	4kV 6kV
			CB	
			EN 55015/GB 17743 ⁽¹⁾	EN 55015/GB 17743/KN 15 ⁽¹⁾
			EN 61000-4-5	
			&	
		RoHS	&	
2020-03-09	R	BIS	&	
			+ -	
			BIS	
			EUV-200S024/048SV-3000	
)')(\$. \$(-	J		&	