

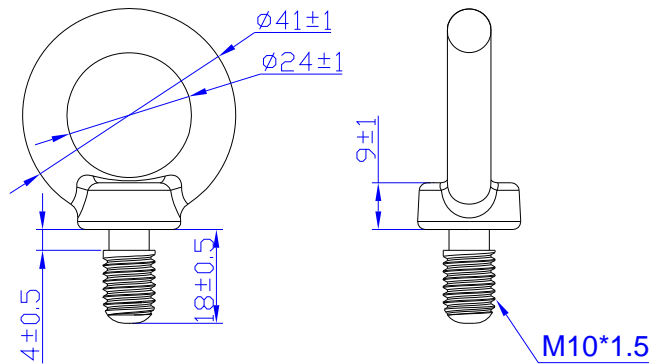
	M10	BLT-M1000
	M12	BLT-M1200
	DN15	HKK-D1500

EUR-096SxxxDT/DV/ST/SV	BLT-M1000	HKK-D1500
EUR-150SxxxDT/DV/ST/SV	BLT-M1000	HKK-D1500
EUR-200SxxxDT/DV/ST/SV	BLT-M1000	HKK-D1500
EUR-240SxxxDT/DV/ST/SV	BLT-M1200	HKK-D1500
EUR-320SxxxDT/DV/ST/SV	BLT-M1200	HKK-D1500
HUK-096SxxxDT/DV	BLT-M1200	HKK-D1500
HUK-150SxxxDT/DV	BLT-M1200	HKK-D1500

	-	-	20 kg	BLT-M1000
	-	-	20 kg	BLT-M1200
	-	-	20 kg	HKK-D1500
	-	105 g	-	BLT-M1000
	-	130 g	-	BLT-M1200
	-	40 g	-	HKK-D1500

BLT-M1000	120 M10	
BLT-M1200	120 M12	
HKK-D1500	120 DN15	

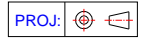
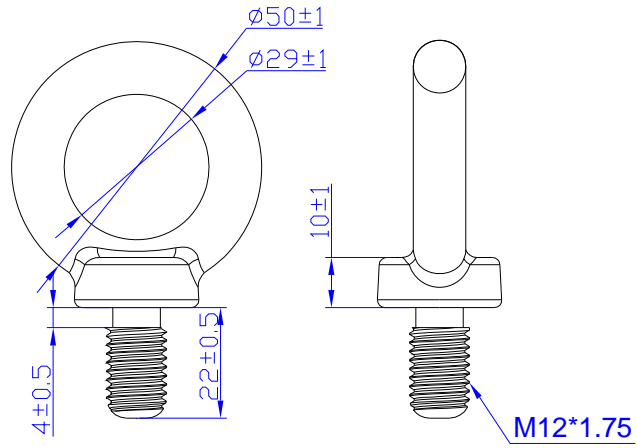
BLT-M1000



PROJ:

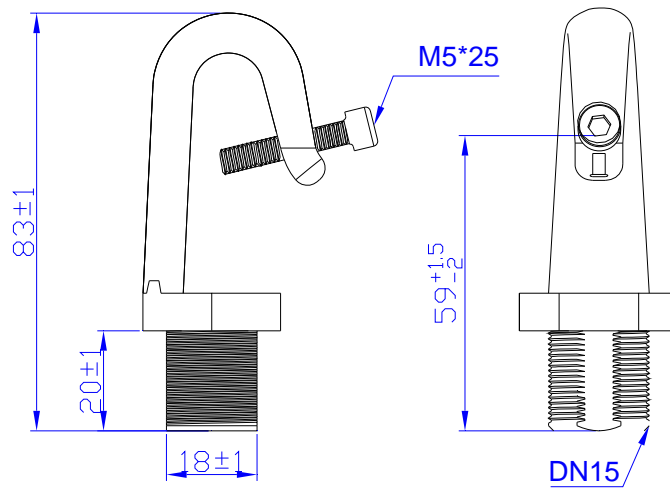
:  $\pm 1$

## BLT-M1200



:  $\pm 1$

## HKK-D1500



2018-08-24	A		/	/